

## OCR-B module for HP LaserJet Devices

### OCR-A & OCR-B - reducing costs with readable numerary ...

In several european countries, the invoices are paid with a payment order (payment form). This consistent form can be provided with an automatic readable coding row (VEST/VESR+) and like this being processed cost-efficient. The most financial institutions are charging the incoming and also external expenses to the customer. With the use of coded payment orders, the costs are reduced considerable. The coding row of the payment forms in Switzerland has to be printed with the automatic readable font OCR-B. This special font can be read and processed automatically by the readers of the Swiss Post offices.

The highest priority of OCR-B is the automatic readability. To achieve this, OCR-B has to be printed in the exact size of 12 pixels and a tracking of 10 pitch. For this reason we have stored this font on all our modules as a so-called „fixed pitch, bitmapped PCL font“. That's why the height and width of this font cannot be changed. Thereby this font is always readable.

### How the OCR-B module works

The module for OCR-B was developed for the LaserJet series I & II as „barcodes & more, C2053-A#C06“ and was enhanced from us for the actual printers. It is offered as a font cassette S2053-6S, as a DIMM with the number S2053-6D / -DX2 / -6P and -6Q, as a memory flash card as S2053-6F and as an USB module as S2053-6U, S2053-6M and S2053-6X.

On this modules are the following fonts: OCR-A, OCR-B, LetterGothic, Barcode 3of9 and barcode UPC/EAN. The two barcode fonts are also bitmapped PCL fonts and can only be printed in a fixed size of 4 mm.

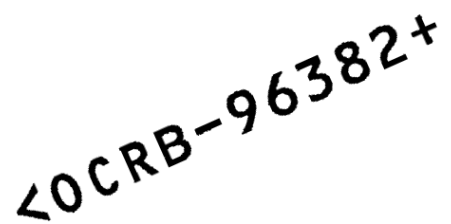
Because barcodes have to be calculated from the application using a barcode algorithm, we recommend our special barcode-pro modules for barcode printing.

### Appliance

- All fonts and barcodes can be accessed from any operational system / application with the needed ESC sequence
- All mentioned modules were verified by the Swiss Post in Berne and are conform to the requirements for VESR/ESR
- This special font can be read and processed automatically by the readers of the Swiss Post
- The handling costs are significantly reduced by using coded payment orders.

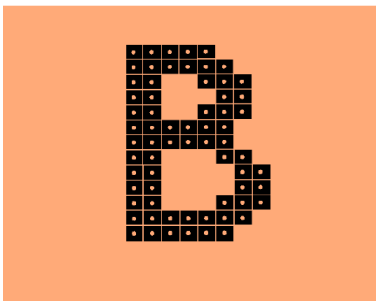
### Areas of application

- Printing of payment orders
- ID card printing
- Cheque printing

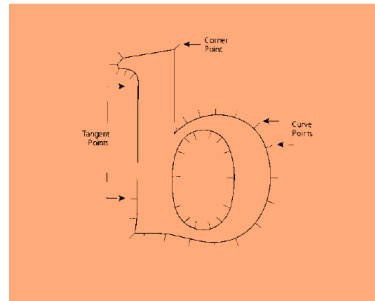
 <OCRB-96382+

## Compatibility list

HP LaserJet model	S2053-6S	S2053-6D	S2053-6Dx2	S2053-6F	S2053-6P	S2053-6Q	S2053-6U	S2053-6M	S2053-6X
4, 5, 6 (without L)	✓								
2100, 2500, 3700, 4000, 4050, 4100, 4200, 4300, 4500, 4550, 4600, 5000, 5100, 5500, 8000, 8100, 8150, 8500, 8550, 9000, 9500, BIJ2300, BIJ3000		✓							
1200, 1220, 13x0, 2200, 2250, 2300, 2550, 2605, 28xxmfp, 3200, 3300, 3380, 3390mfp, 3392mfp			✓						
24x0, 4250, 4345mfp, 4350, 4650, 47x0, 5200, 5550, 9040, 9050mfp, 9500mfp, CM4730mfp				✓					
M451, M475, P2015, M2727mfp, CM2320, CP2025, P2055					✓				
M401 (only network models), M425						✓			
CLJ3000, 3800, M3035mfp, M4345mfp, M5035mfp, P3005 (ab FW 02.037.0), CM3530, CM8x00, CP3505, CM60x0, CP6015, M9040, M9050, CP3525, P3015, P401x, P4515, CP4x25							✓		
<b>LaserJet</b> CM4540, CP552x, M4555mfp, M525, M551, M575mfp, M601, M602, M603, M630mfp, M651, M680, M712, M725, M750, M775, M806, M830, M855mfp, M880, OfficeJet MFP X555, X585, M506*, M527*, M552*, M553*, M577mfp*, M604*, M605*, M606*, M607*, M608*, M609*, M631 MFP*, M632 MFP*, M633 MFP*, M652*, M653*, M681*, M682 MFP*, E60055*, E60065*, E60075*, E62555*, E62565*, E62575*, E65050*, E65060*, E72525 MFP*, E72530 MFP*, E72535 MFP*, E77822 MFP*, E77825 MFP*, E77830 MFP*, E82540 MFP*, E82550 MFP*, E82560 MFP*, E82650 MFP*, E87640 MFP*, E87650 MFP*, E87660 MFP* <b>PageWide</b> 556*, 586*, 765*, 780*, 785*, MFP E58650* <b>PageWide Managed</b> E55650*, E75160 MFP*, E77650 MFP*, E77660 MFP* * = connected on the external USB-port of the device or with the extension of internal USB-ports (optional HP accessory)								✓	
<b>LaserJet</b> M506, M527, M552, M553, M577mfp, M604, M605, M606, M607, M608, M609, M631 MFP, M632 MFP, M633 MFP, M652, M653, M681, M682 MFP, E60055, E60065, E60075, E62555, E62565, E62575, E65050, E65060, E72525 MFP, E72530 MFP, E72535 MFP, E77822 MFP, E77825 MFP, E77830 MFP, E82540 MFP, E82550 MFP, E82560 MFP, E82650 MFP, E87640 MFP, E87650 MFP, E87660 MFP <b>PageWide</b> 556, 586, 765, 780, 785, MFP E58650 <b>PageWide Managed</b> E55650, E75160 MFP, E77650 MFP, E77660 MFP (including special cable to connect the module on the internal Mini-USB-port of the device - but this results in the deactivation of the external USB-port)									✓



Our OCR-B fonts are checked by the Swiss post and stored as bitmapped PCL fongs with a fixed size and width in the Printer. An external scanning is not necessary and the print layout is always indential.



Scalable fonts like e.g. TrueType or PostScript type-1 are uneligibile for OCR-B, because these are scanned in the PC and printed as a graphic.

## For perfect print and scan solutions ...



Secure printing & scanning  
Workflow and document management

Fleet management and optimization  
Output management

[www.nowcon.com](http://www.nowcon.com)