

OCR-B module

OCR-A & OCR-B - reducing costs with readable numerary ...

In several european countries, the invoices are paid with a payment order (payment form). This consistent form can be provided with an automatic readable coding row (VEST/VESR+) and like this being processed cost-efficient. The most financial institutions are charging the incoming and also external expenses to the customer. With the use of coded payment orders, the costs are reduced considerable.

The coding row of the payment forms in Switzerland has to be printed with the automatic readable font OCR-B. This special font can be read and processed automatically by the readers of the Swiss Post offices.

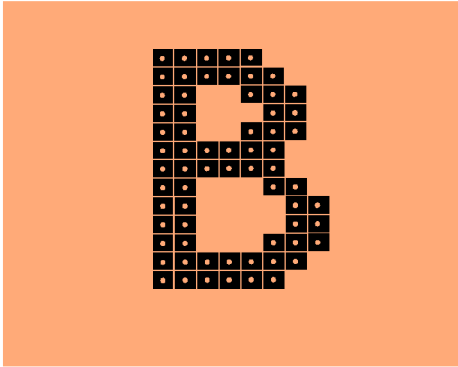
The highest priority of OCR-B is the automatic readability. To achieve this, OCR-B has to be printed in the exact size of 12 pixels and a tracking of 10 pitch. For this reason we have stored this font on all our modules as a so-called „fixed pitch, bitmapped PCL font“. That's why the height and width of this font cannot be changed. Thereby this font is always readable.

How the OCR-B module works

The module for OCR-B was developed for the LaserJet series I & II as „barcodes & more, C2053-A#C06“ and was enhanced from us for the actual printers. It is offered as a font cassette S2053-6S, as a DIMM with the number S2053-6D / -DX2 and -6P, as a memory flash card as S2053-6F and as an USB module as S2053-6U.

On this modules are the following fonts: OCR-A, OCR-B, LetterGothic, Barcode 3of9 and barcode UPC/EAN. The two barcode fonts are also bitmapped PCL fonts and can only be printed in a fixed size of 4 mm.

Because barcodes have to be calculated from the application using a barcode algorithm, we recommend our special barcode-pro modules for barcode printing.



Our OCR-B fonts are checked by the Swiss post and stored as bitmapped PCL fonts with a fixed size and width in the Printer. An external scanning is not necessary and the print layout is always identical.

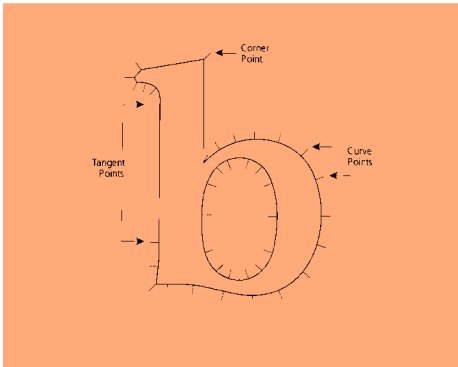
Appliance

- All fonts and barcodes can be accessed from any operational system / application with the needed ESC sequence
- All mentioned modules were verified by the Swiss Post in Berne and are conform to the requirements for VESR/ESR
- This special font can be read and processed automatically by the readers of the Swiss Post
- The handling costs are significantly reduced by using coded payment orders.

Areas of application

- Printing of payment orders
- ID card printing
- cheque printing

<OCRB-96382+



Scalable fonts like e.g. TrueType or PostScript type-1 are uneligible for OCR-B, because these are scanned in the PC and printed as a graphic.

HP LaserJet model	S2053-6	S2053-6S	S2053-6D	S2053-6DX2	S2053-6F	S2053-6U	S2053-6P
II, III, 4,	●						
4, 5, 6 (without L)		●					
2100, 2500, 3700, 4000, 4050, 4100, 4200, 4300, 4500, 4550, 4600, 5000, 5100, 5500, 8000, 8100, 8150, 8500, 8550, 9000, 9500, BIJ2300, BIJ3000			●				
1200, 1220, 13X0, 2200, 2250, 2300, 2550, 2605, 28XXmfp, 3200, 3300, 3380, 3390mfp, 3392mfp				●			
24X0, 4250, 4345mfp, 4350, 4650, 47X0, 5200, 5550, 9040, 9050mfp, 9500mfp, CM4730mfp					●		
CLJ3000, 3800, M3035mfp, M4345mfp, M5035mfp, P3005 ab FW 02.037.0, CM3530, CM8X00, CP3505, CM6040, CP6015, M9040, M9050, CP3525, P3015, P4014, P4015, P4515, CP4x25						●	
P2015, M2727mfp, CM2320, CP2025, P2055							●